

20/4/17



BIM REGIONS LONDON

---

**BIM - THE WHAT? THE  
WHY? AND THE HOW**

20/4/17



DAVID MATHER



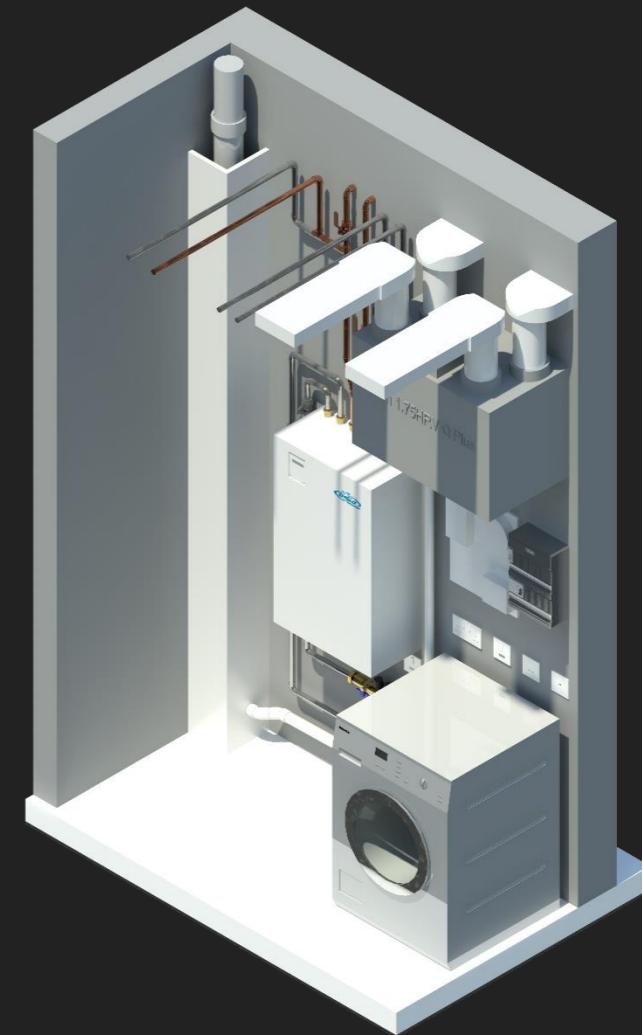
DMATHER4

---

# **BUILDING SERVICES & BIM**

# BUILDING SERVICES

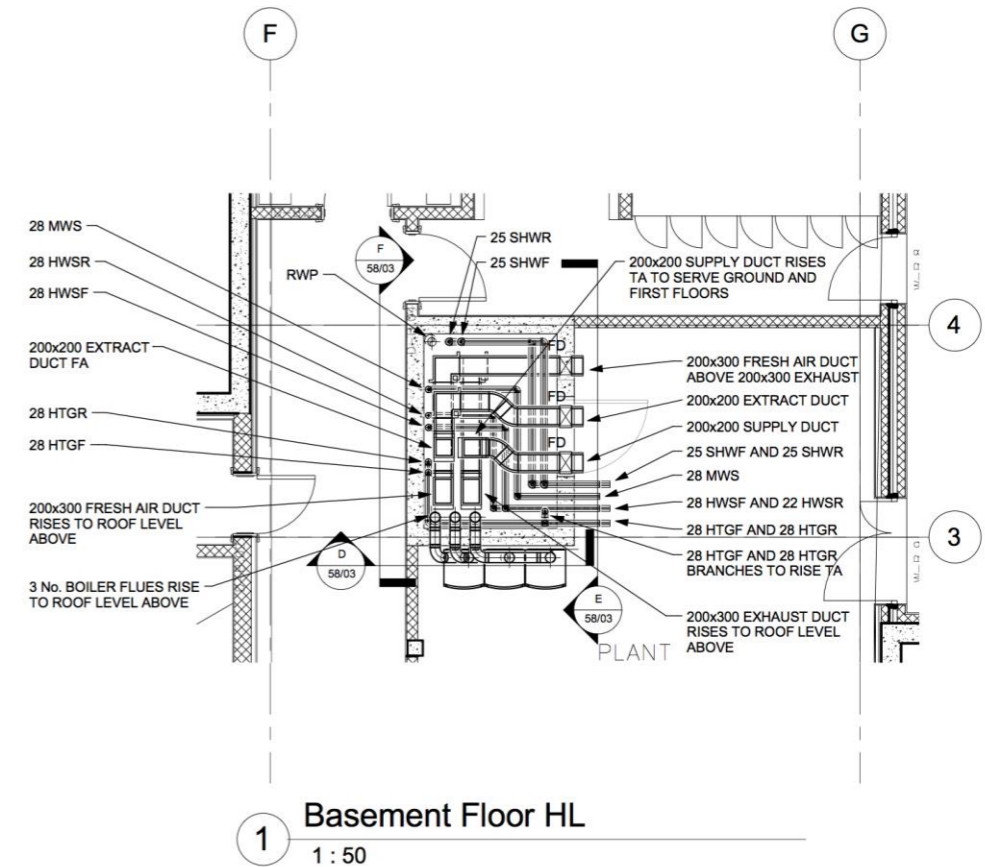
- ▶ Systems to bring a building to life
- ▶ Heating
- ▶ Hot & cold water
- ▶ Lighting
- ▶ Electrical power
- ▶ Cooling
- ▶ Telecomms/data



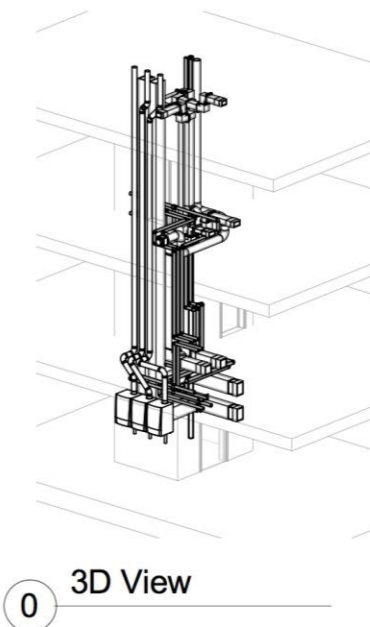
Example Utility Cupboard

# DESIGN PROCESS EVOLUTION

- ▶ Hand drawing with drawing boards to Computer Aided Design (CAD)
- ▶ 2D CAD drawings to 3D modelling



Example Services Riser



## **INFORMATION DISTRIBUTION**

- ▶ Posting physical copies of drawings
- ▶ Posting CD-R's with PDF's and/or DWG's
- ▶ Emailing PDF's & DWG's
- ▶ Uploading PDF / RVT / IFC / COBie to a CDE

# YOU NEED AN INFORMATION MANAGER

Fred Mills – The B1M

## **BIM EXECUTION PLAN**

- ▶ Fail to Plan, then Plan to Fail
- ▶ Project specific
- ▶ Identifies who, what and when for information exchange
- ▶ Software for producing drawings
- ▶ Layers / Worksets / Design options
- ▶ File formats / File naming / Sharing methods

## **SUMMARY**

- ▶ Embrace the cultural change– new process & systems
- ▶ Read the BIM Execution Plan
- ▶ Work as a Team



20/4/17



THANK YOU FOR LISTENING

---

**BUILDING SERVICES  
& BIM**